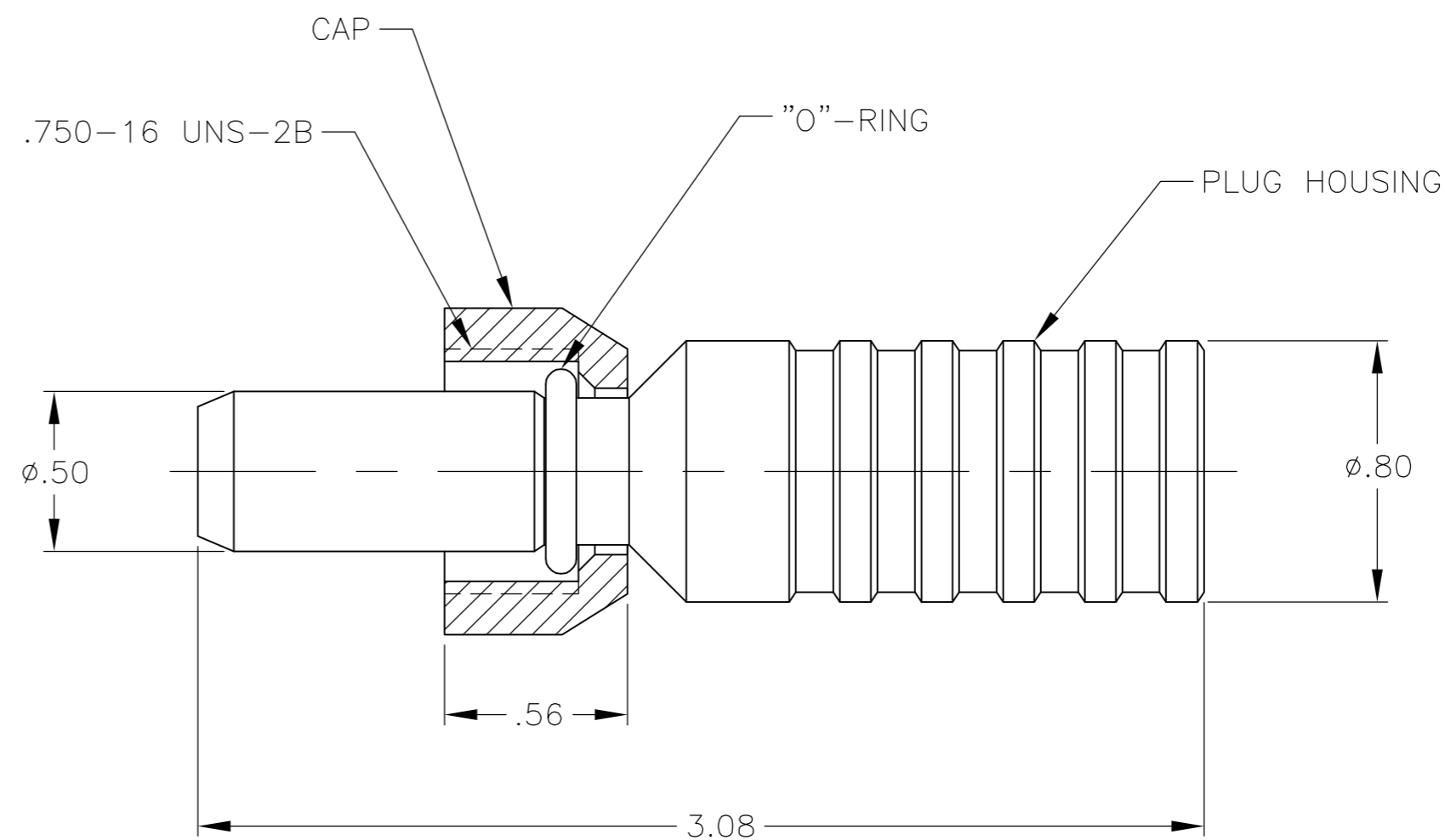
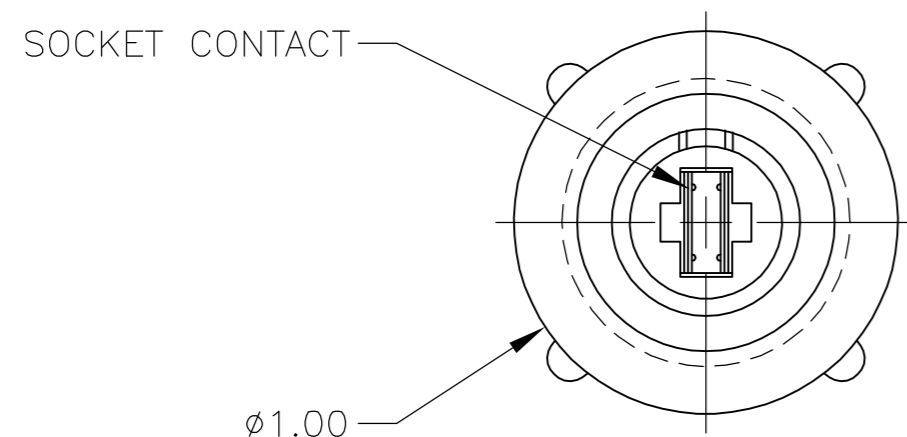


THIS DRAWING IS UNPUBLISHED. RELEASED FOR PUBLICATION  
 © COPYRIGHT BY TYCO ELECTRONICS CORPORATION. ALL RIGHTS RESERVED.

LOC	DIST	REVISIONS					
DF	S0	P	LTR	DESCRIPTION	DATE	DWN	APVD
		G		REV PER OH14-0191-05	05-05	AA	DE

- 1 SOCKET CONTACT TIN PLATED.
- 2. USE EXTRACTION TOOL #863558-1. (NOT SUPPLIED)
- 3 SOCKET CONTACT TIN-LEAD PLATED.



PRELIMINARY- NOT RELEASED FOR PRODUCTION			
DIE INSERT NO'S HAND TOOL 69710-1 OR PHEUMATIC TOOL 69365	SOCKET NO.	WIRE SIZE RANGE	PART NUMBER
90145-2	1 2-66740-1	16 AWG	5-863103-3
90145-1	1 2-66740-1	12-14 AWG	5-863103-2
90140-1	1 2-66741-1	10 AWG	5-863103-1
90145-2	3 66740-8	16 AWG	863103-3
90145-1	3 66740-8	12-14 AWG	863103-2
90140-1	3 66741-8	10 AWG	863103-1

THIS DRAWING IS A CONTROLLED DOCUMENT.		DWN C.C.THOMAS 10-12-04	Tyco Electronics Corporation Harrisburg, Pa 17105-3608	
DIMENSIONS: INCHES	TOLERANCES UNLESS OTHERWISE SPECIFIED:	CHK D.EABY 10-12-04	NAME CSL PLUG ASSY,LGH	
	0 PLC ± -	APVD D.EABY 10-12-04	SIZE	RESTRICTED TO
	1 PLC ± -	PRODUCT SPEC	A2	-
	2 PLC ± .02	APPLICATION SPEC	CAGE CODE	DRAWING NO
	3 PLC ± -		00779	C=863103
	4 PLC ± -		SCALE	SHEET
	ANGLES ± -		2:1	1 OF 1
MATERIAL	FINISH	WEIGHT	REV	G
-	-	-	CUSTOMER DRAWING	

863103