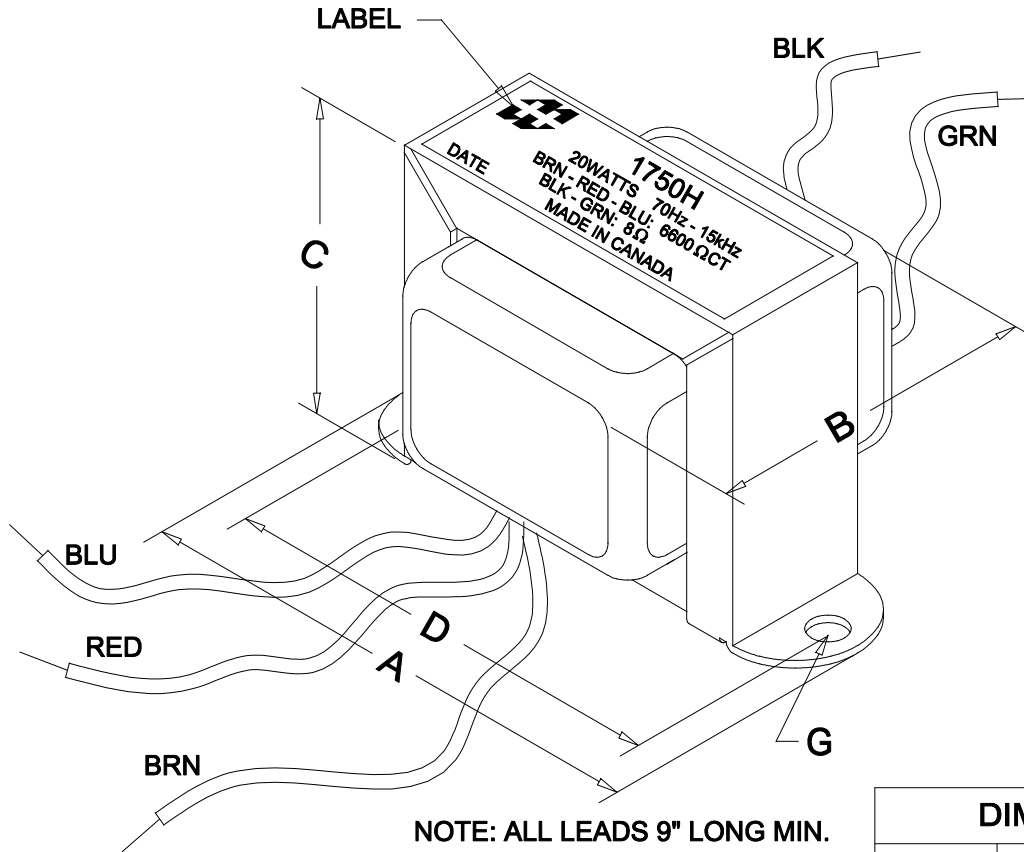


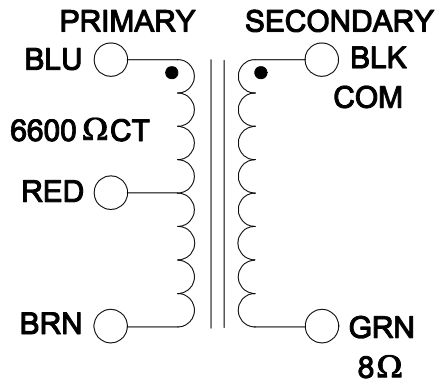
1750H



NOTE: ALL LEADS 9" LONG MIN.

DIMENSIONS:

A	3.710" ±0.063
B	2.400" ±0.125
C	2.308" ±0.063
D	3.130" ±0.063
G	0.187" ±0.015



ELECTRICAL DATA:

Turns ratio:	28.72 : 1
Inductance	@ 250V, 60Hz =>94.74H (Open circuit)
DCR	@ 20°C, BLU - BRN =428Ω ±20%
	@ 20°C, BLK - GRN =0.47Ω ±20%
FREQ. RESP	@ 20W, 70Hz - 15kHz = BLU - BRN ±1dB (1kHz Ref.)
Pri. Impedance	6600Ω
Sec. Impedance	8Ω
Power	20 WATTS



**HAMMOND
ELECTRONICS**

52 RANKIN PLACE,
WATERLOO, ONTARIO, N2L 3Z5.
PHONE (519) 886-6181
FAX # (519) 886-9540

TITLE

OUTPUT TRANSFORMER

			DR BY IOAN POP
0	08/08/13	Released	D.H. DATE 05/11/09
NO	DATE	REVISION	DIM IN(X)MM()

1750H