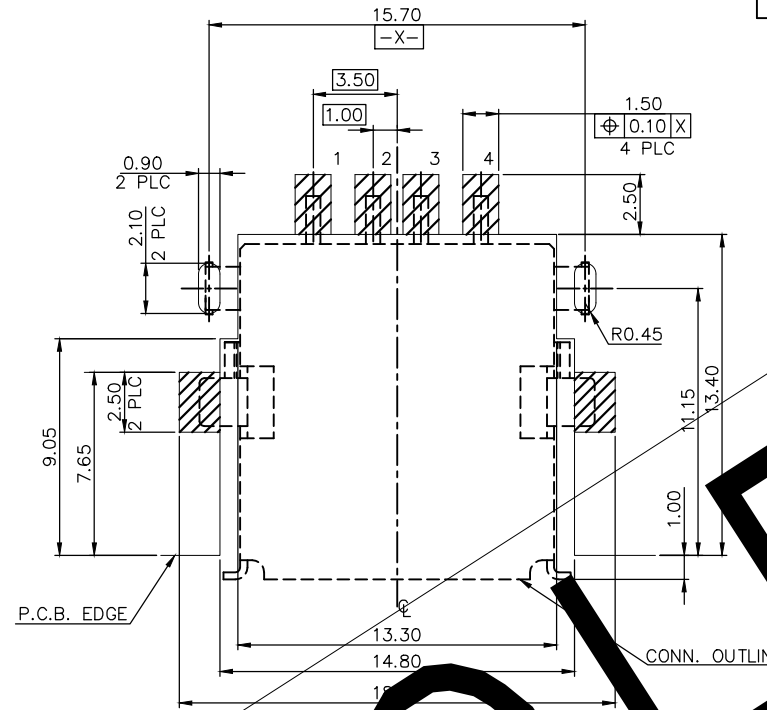
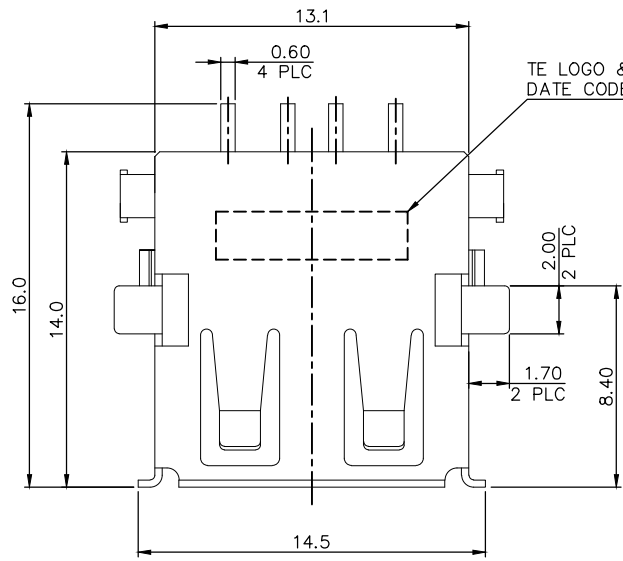


THIS DRAWING IS UNPUBLISHED. RELEASED FOR PUBLICATION AUG .2006.

© COPYRIGHT BY TYCO ELECTRONICS CORPORATION. ALL RIGHTS RESERVED.

LOC	DIST	REVISIONS			
P	LTR	DESCRIPTION	DATE	DWN	APVD
DW		B2 REVISE	11MAR2016	A.X	H.W

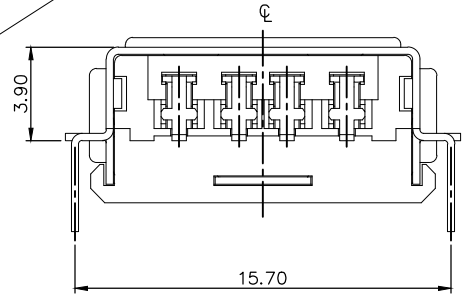
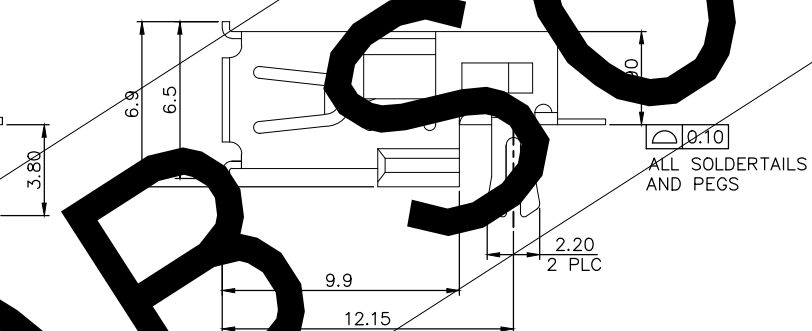
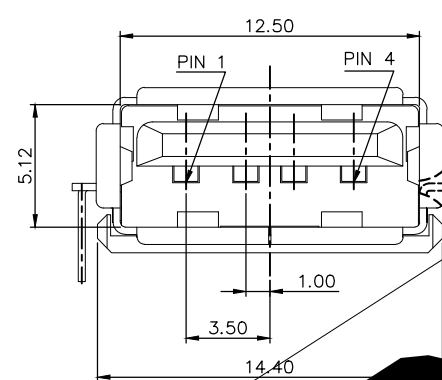


NOTE:
 1. MATERIAL:
 HOUSING: PA9T WITH 30%GF, UL 94V-0, BLACK COLOR.
 CONTACT: PHOSPHOR BRONZE.
 SHELL: BRASS.
 2. FINISH:
 CONTACT: 0.762µm [30µ" MIN. GOLD PLATING ON CONTACT AREA,
 2.54µm [100µ" MIN. BRIGHT TIN PLATING ON SOLDER TAILS,
 1.27µm [50µ" MIN. NICKEL UNDERPLATING OVERALL.
 SHELL: 0.762µm [30µ" MIN. GOLD PLATING OVERALL.
 3. REFLOW SOLDER CAPABLE TO 260°C PER TE SPEC 109-201,
 CONDITION 3.

OBsolete

RECOMMEND P.C.B. LAYOUT (THICKNESS 1.6mm) (COMPONENT SPACING TOLERANCE ±0.15)

RECOMMENDED MOUNT DIMENSION



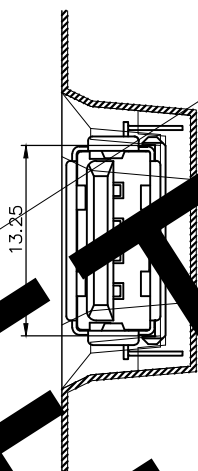
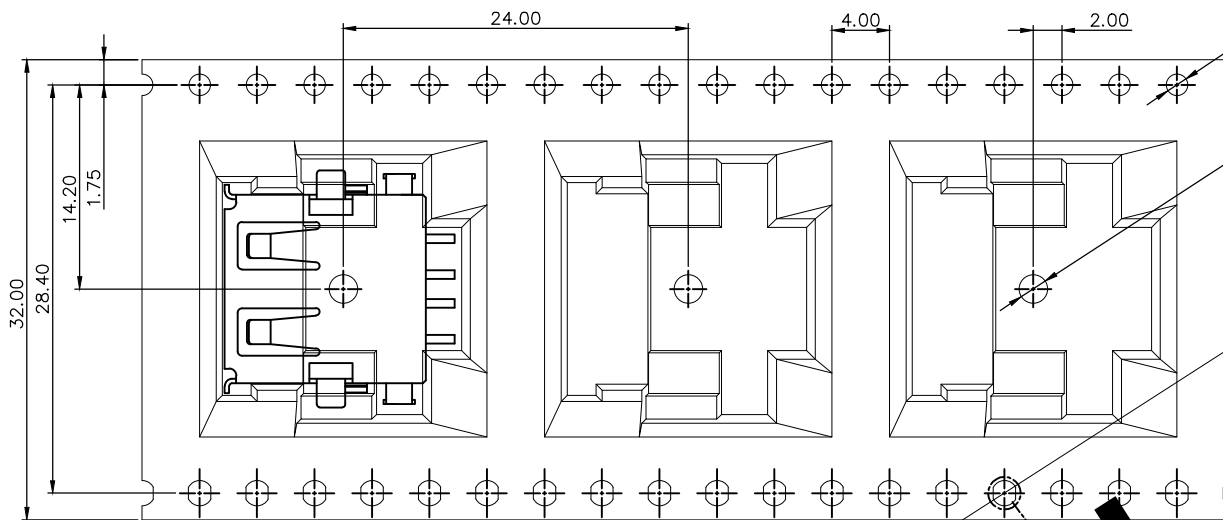
TAPE & REEL	2041335-1
PACKAGE	PART NUMBER

THIS DRAWING IS A CONTROLLED DOCUMENT.		DWN	J. CHEN	15FEB2011	Tyco Electronics Corporation Tyco Electronics Taipei, Taiwan	
DIMENSIONS: MM		CHK	S. CHIEN	15FEB2011	NAME	
TOLERANCES UNLESS OTHERWISE SPECIFIED: 0 PLC ± 0 1 PLC ± 0.30 2 PLC ± 0.20 3 PLC ± 0 4 PLC ± 0 ANGLES ± 3°		APVD	W. KODAMA	15FEB2011	PRODUCT SPEC 108-57505	
MATERIAL SEE NOTE		FINISH SEE NOTE		APPLICATION SPEC		SIZE A3
		WEIGHT 1.51 GRAMS		DRAWING NO C=2041335		RESTRICTED TO
		CUSTOMER DRAWING		SCALE		SHEET 1 OF 2 REV B2

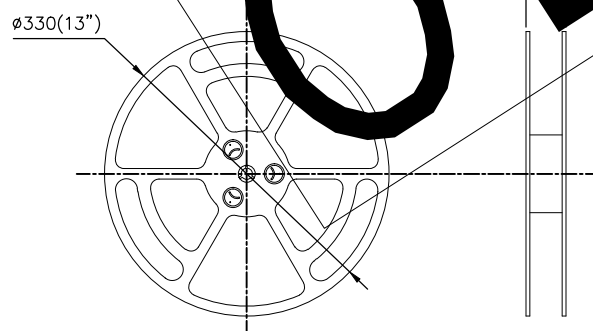
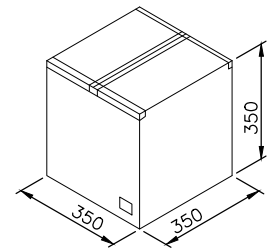
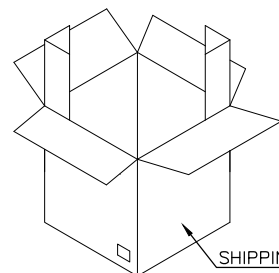
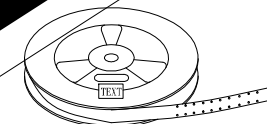
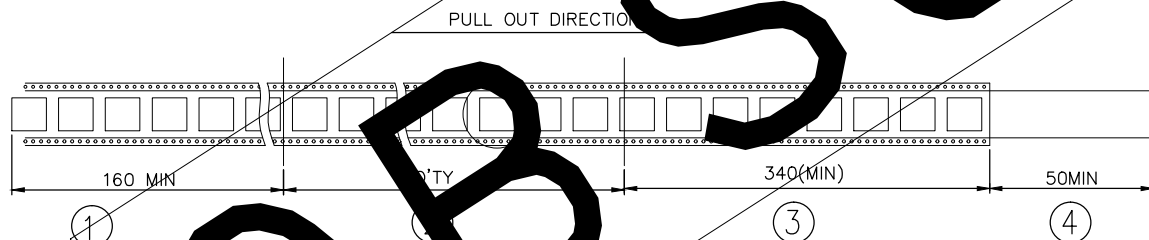
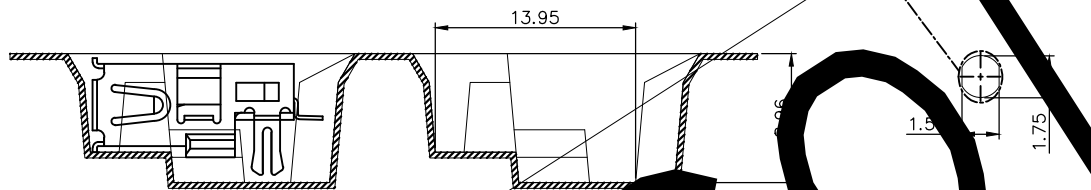
THIS DRAWING IS UNPUBLISHED. RELEASED FOR PUBLICATION AUG .2006.

© COPYRIGHT BY TYCO ELECTRONICS CORPORATION. ALL RIGHTS RESERVED.

LOC	DIST	REVISIONS					
DW		P	LTR	DESCRIPTION	DATE	DWN	APVD
				SEE SHEET 1.			



NOTE:
 1. PEELING FORCE : 10gf~130gf (for 12mm~56mm)
 2. PEELING SPEED : 300mm/MNUTES



8.50Kg	3.40Kg	250	9	2250 PCS	2041335-1
GROSS WEIGHT	NET WEIGHT	PCS/REEL	REELS/CARTON	QUANTITY	PART NUMBER

THIS DRAWING IS A CONTROLLED DOCUMENT.

DIMENSIONS: MM	TOLERANCES UNLESS OTHERWISE SPECIFIED:
	0 PLC ± -
	1 PLC ± -
	2 PLC ± -
	3 PLC ± -
	4 PLC ± -
	ANGLES ± -
MATERIAL	FINISH

DWN	CHK	APVD	PRODUCT SPEC	APPLICATION SPEC	WEIGHT	CUSTOMER DRAWING	
						SCALE	SHEET 2 OF 2
Tyco Electronics Corporation Taipei, Taiwan			NAME USB CONNECTOR, RECEPTACLE 4 POSITION, SERIES A			RESTRICTED TO	REV B2
SIZE A3	CAGE CODE 00779	DRAWING NO C=2041335					