

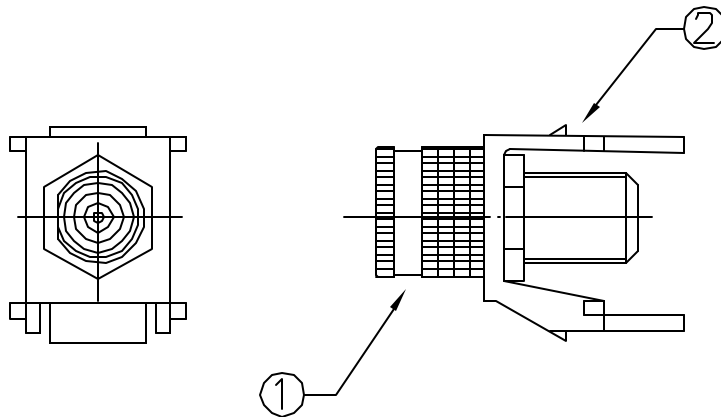
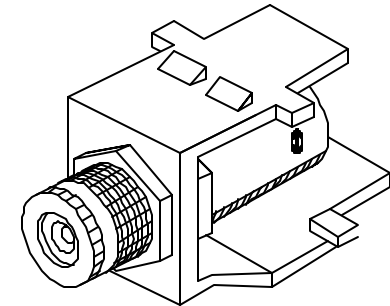
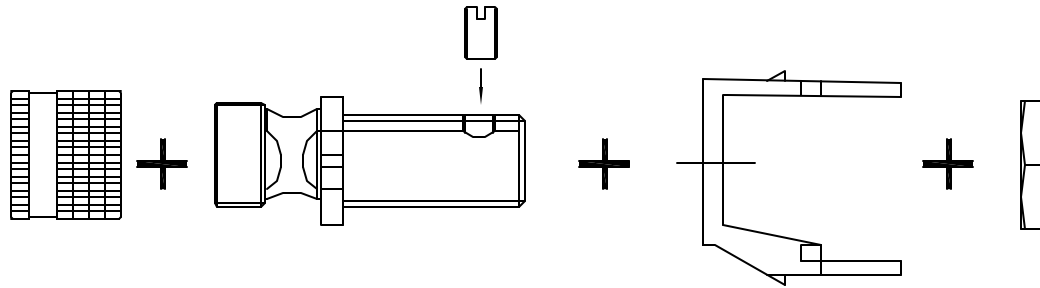
4

3

2

1

REVISIONS				
ZONE	REV	DESCRIPTION	DATE	APPROVED
	A	RELEASE FOR PRODUCTION	02/02/01	



2	HOUSING	ABS 94V-0	1	LP910C
1	RCA CONNECTOR	METAL	1	LEFF000001 LEFF000002
No.	PART NAME	MAT'L	Q'TY	REMARK

UNLESS OTHERWISE SPECIFIED: TOLERANCES		PROJECT ID H2031-RCAP		<b>HellermannTyton.</b>	
DECIMAL	ANGULAR	FILE	DATE		
~20 ±0.1mm	±0°00'	Z0936.DWG	02/02/01	TITLE BINDING POST RCA JACK	
OVER 20~50 ±0.15mm		DRAWN JASON	02/02/01		
OVER 60~ ±0.2mm		SURFACE	CHECK	SIZE	DRAWING NUMBER
		FINISH	APPROVED	A4	Z0936
				SCALE	UNIT
				1:1	MM
				SHEET	1 of 1
				REV	A