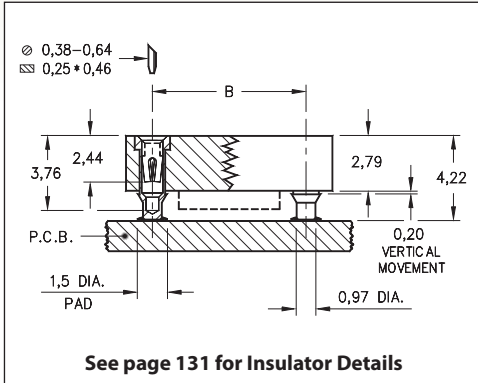
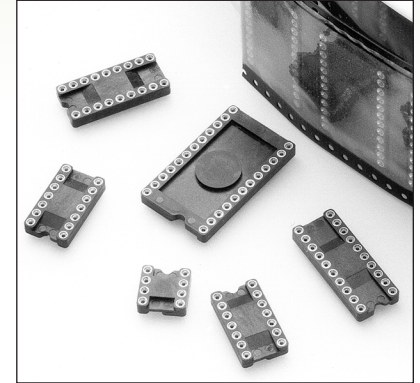


DUAL-IN-LINE SOCKETS

SERIES 214 • SURFACE MOUNT, AUTO PLACEMENT, STUB TAIL • CLOSED FRAME



- Unique floating contacts compensate for the effects of unevenly screened solder paste
- Available packaged in tubes or on tape & reel per EIA-481
- Hi-Rel, 4-finger BeCu #30 contact is rated at 3 amps. See page 253 for details
- Series 214 uses MM #1434 pins. See page 162 for details
- High temp. Nylon 46 insulator is suitable for all surface mount soldering processes. Closed frame insulator is vision system compatible
- For Electrical, Mechanical and Environmental Data, see page 264 for details



Total number of pins				Quantity per tube	ORDERING INFORMATION							
	A	B	C		Tube Packaging	Tape & Reel Packaging	Tape Width (mm)	QTY per Reel				
VACUUM PAD TOP SURFACE ONLY												
6	7,6	7,62	10,1	67	214-XX-306-01-670800	214-XX-306-01-670799	16	750				
8	10,1	7,62	10,1	50	214-XX-308-01-670800	214-XX-308-01-670799	16	1000				
14	17,7	7,62	10,1	28	214-XX-314-01-670800	214-XX-314-01-670799	32	750				
16	20,3	7,62	10,1	25	214-XX-316-01-670800	214-XX-316-01-670799	32	750				
18	22,8	7,62	10,1	22	214-XX-318-01-670800	214-XX-318-01-670799	44	750				
20	25,3	7,62	10,1	20	214-XX-320-01-670800	214-XX-320-01-670799	44	750				
VACUUM PAD TOP AND BOTTOM												
24	30,4	15,24	17,7	16	214-XX-624-01-670800	214-XX-624-01-670799	44	400				
28	35,5	15,24	17,7	14	214-XX-628-01-670800	214-XX-628-01-670799	56	400				
32	40,6	15,24	17,7	12	214-XX-632-01-670800	214-XX-632-01-670799	56	400				
40	50,8	15,24	17,7	10	214-XX-640-01-670800	NOT AVAILABLE						
SPECIFY PLATING CODE XX =								99				44
Sleeve (Pin)								5,08µm Sn/Pb				5,08µm Sn
Contact (Clip)								2,54µm Sn/Pb				2,54µm Sn