



Mallory Sonalert Products, Inc.

Part #:

SBT5LM1PC

Sales Outline Drawing

Revision:

E

Specifications:

cUL Recognized to IEC60601-1-8 - General Melody

| | | | | |
|------------------------|-------------------------------------------------------|-----------------------------------------------------------|-------------------------------------------------------------|------------------------------------------------------------|
| Sound Level Category: | Silence | Loud | Loud | Loud |
| Mode of Operation: | Silence - NO SOUND | Low Priority Alarm 2 beeps repeating @ every 21 sec | Medium Priority Alarm 3 beeps repeating @ every 9 sec | High Priority Alarm 10 beeps repeating @ every 6 sec |
| Loudness @ 10cm: | | 85 to 95 dB(A) Typ. | 85 to 95 dB(A) Typ. | 85 to 95 dB(A) Typ. |
| Frequency: | 150 to 4000 Hz | | | |
| Connection: | Connect "+" to "+" & "-" to "-" of Power Supply | Connect "+" to "+" & "-" & L to "-" of Power Supply | Connect "+" to "+" & "-" & M to "-" of Power Supply | Connect "+" to "+" & "-" & H to "-" of Power Supply |
| Voltage Rating: | 3.3 to 5 VDC | | | |
| Average Current Draw: | <15mA Typ. | <15mA Typ. | <15mA Typ. | <20mA Typ. |
| Ipk Current*: | 300mA | | | |
| Housing Material: | ABS 777D Plastic Resin, Black | | | |
| Storage Temperature: | -40° to +85° C | | | |
| Operating Temperature: | -30° to +65° C | | | |
| Weight Typical: | 0.6 oz (17g) | | | |
| Options: | Please contact factory. | | | |

Dimensions:

Inches [mm]

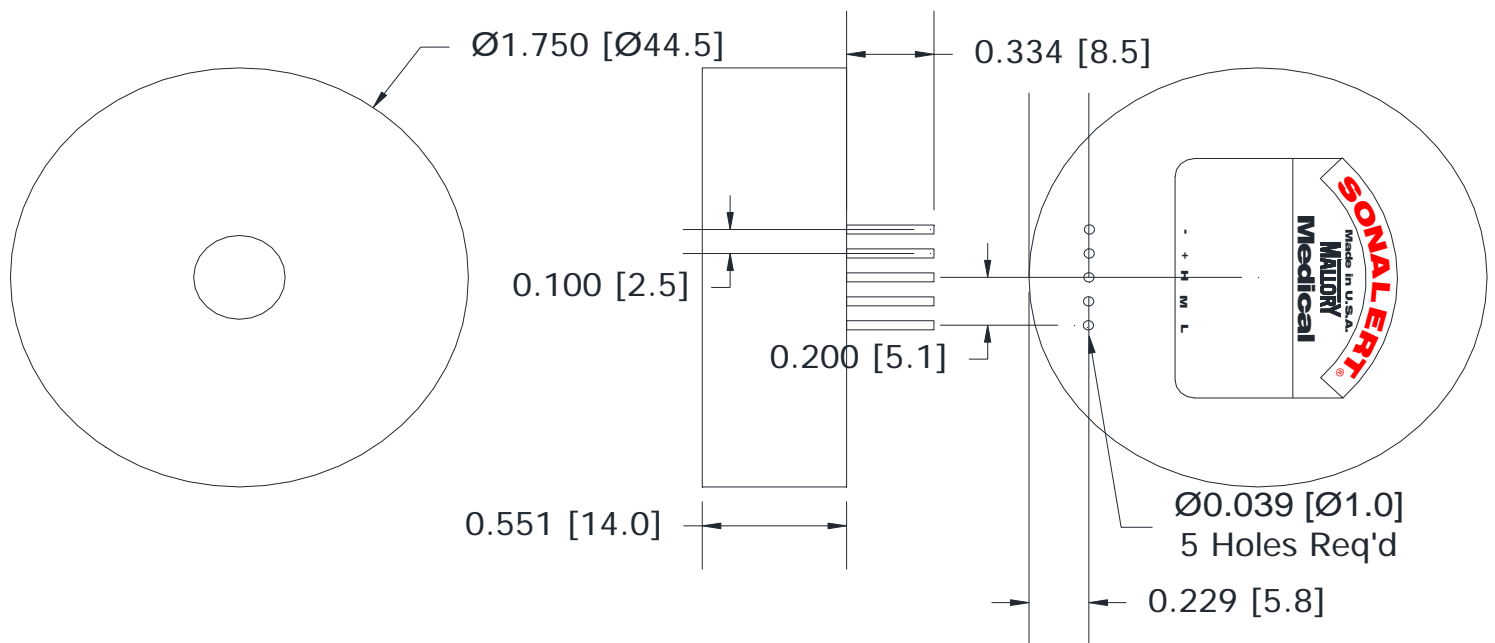
cUL Recognized

ROHS Compliant

PATENT NUMBER: 7880593

Before Code Date: 1546 Not cUL Recognized

After Code Date: 1547 cUL Recognized



*Ipk = Instantaneous Peak

tolerances: ±0.005 [±0.1]