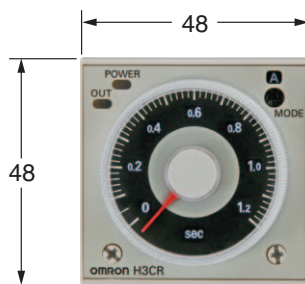


Multi-functional TIMER

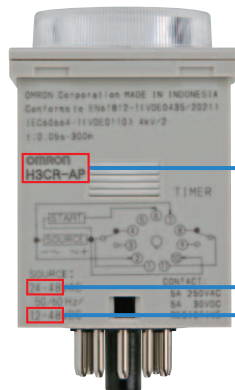
Order Code

H3CR-AP AC24-48/DC12-48

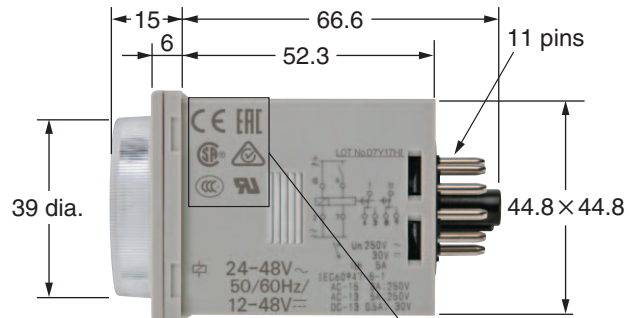
Dimensions (Unit: mm)



Front



Top view

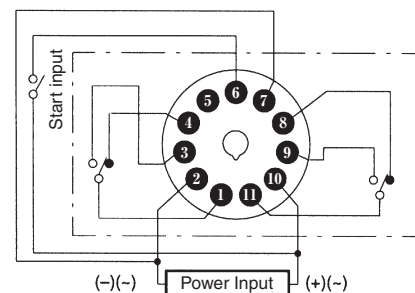


Side view

There is a case that the marks of Approval are updated.

Pin Connection

H3CR-AP (Contact Output)



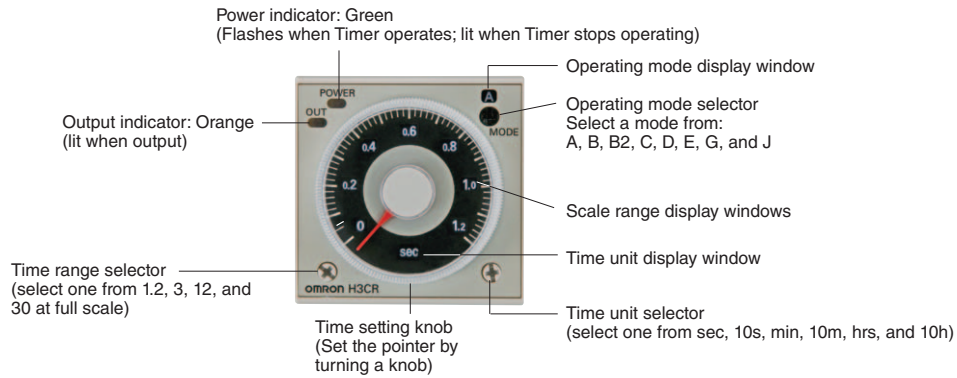
- Note:** 1. Terminal 5 is empty.
2. Separate power supplies can be used for the Timer and inputs.

Technical criteria

Rated supply voltage	24 to 48 VAC (50/60 Hz) or 12 to 48 VDC	
Reset Power Off time	0.1 s min	
Operating Temperature	-10 to 55 °C	
Signal Input type	Voltage input	
Start Signal input time	0.05 s min	
Output	Contact Output: Time limit contact (DPDT) 5A at 250 VAC/30 VDC, 0.15A at 125 VDC, resistive load (cosφ = 1) Minimum applied load: 10mA at 5 VDC (failure level: P, reference value) Contact materials: Ag-alloy	
Time Setting Error	±0.2% Full Scale max. (±0.2%·10 ms max. in a range of 1.2 s or 3 s)	
Operating mode	A: ON-delay B: Flicker OFF start B2: Flicker ON start C: Signal ON/OFF-delay	D: Signal OFF-delay E: Interval G: Signal ON/OFF-delay J: One-shot
Safety Standards	UL 508, CSA C22.2 No.14 CCC CE Marking under EN 61812-1, IEC 60664-1 Marine Approvals (NK, Lloyds)	

For the most recent information on models that have been certified for safety standards, refer to your OMRON website.

Nomenclature



Time range

Time unit	sec (second)	10s (x 10 seconds)	min (minute)	10m (x 10 minutes)	hrs (hour)	10h (x 10 hours)
Full scale setting	1.2	0.05 to 1.2	1.2 to 12	0.12 to 1.2	1.2 to 12	0.12 to 1.2
	3	0.3 to 3	3 to 30	0.3 to 3	3 to 30	0.3 to 3
	12	1.2 to 12	12 to 120	1.2 to 12	12 to 120	1.2 to 12
	30	3 to 30	30 to 300	3 to 30	30 to 300	3 to 30

Timing Chart

A: ON-delay	<p>Basic operation</p> <p>Power (terminals 2 and 10)</p> <p>Start (terminals 2 and 6) (See note)</p> <p>Output (terminals 1 and 3, 9 and 11)</p> <p>Note: Start input is invalid while the Timer is in operation.</p>	D: Signal OFF-delay	<p>Basic operation</p> <p>Power (terminals 2 and 10)</p> <p>Start (terminals 2 and 6) (See note)</p> <p>Output (terminals 1 and 3, 9 and 11)</p> <p>Note: Start input is valid and retriggerable while the Timer is in operation.</p>
B: Flicker OFF start	<p>Basic operation</p> <p>Power (terminals 2 and 10)</p> <p>Start (terminals 2 and 6) (See note)</p> <p>Output (terminals 1 and 3, 9 and 11)</p> <p>Note: Start input is invalid while the Timer is in operation.</p>	E: Interval	<p>Basic operation</p> <p>Power (terminals 2 and 10)</p> <p>Start (terminals 2 and 6) (See note)</p> <p>Output (terminals 1 and 3, 9 and 11)</p> <p>Note: Start input is valid and retriggerable while the Timer is in operation. (Previous start input will be cancelled.)</p>
B2: Flicker ON start	<p>Basic operation</p> <p>Power (terminals 2 and 10)</p> <p>Start (terminals 2 and 6) (See note)</p> <p>Output (terminals 1 and 3, 9 and 11)</p> <p>Note: Start input is invalid while the Timer is in operation.</p>	G: Signal ON/OFF-delay	<p>Basic operation</p> <p>Power (terminals 2 and 10)</p> <p>Start (terminals 2 and 6) (See note)</p> <p>Output (terminals 1 and 3, 9 and 11)</p> <p>Note: Start input is valid and retriggerable while the Timer is in operation.</p>
C: Signal ON/OFF-delay	<p>Basic operation</p> <p>Power (terminals 2 and 10)</p> <p>Start (terminals 2 and 6) (See note)</p> <p>Output (terminals 1 and 3, 9 and 11)</p> <p>Note: Start input is valid and retriggerable while the Timer is in operation.</p>	J: One-shot	<p>Basic operation</p> <p>Power (terminals 2 and 10)</p> <p>Start (terminals 2 and 6) (See note)</p> <p>Output (terminals 1 and 3, 9 and 11)</p> <p>Note: Start input is valid and retriggerable while the Timer is in operation. (Previous start input will be cancelled.)</p>

Accessories

<p>DIN rail Mount Socket</p> <p>P2CF-08-E/P2CF-11-E</p>	<p>On-panel Mount Socket</p> <p>P3G-08/P3GA-11</p>	<p>On-panel Mounting Adaptor</p> <p>Y92F-30</p>	<p>Hard protect Cover</p> <p>Y92A-48B</p>	<p>Water Proof Cover (IP66)</p> <p>Y92A-48N</p>
--	---	--	--	--

OMRON Corporation Industrial Automation Company
Kyoto, JAPAN

Contact: www.ia.omron.com

Regional Headquarters

OMRON EUROPE B.V.

Wegalaan 67-69, 2132 JD Hoofddorp
The Netherlands

Tel: (31) 2356-81-300/Fax: (31) 2356-81-388
<https://industrial.omron.eu/en/home>

OMRON ELECTRONICS

Burhaniye Mah. Tunuslu Mahmut Paşa Cad. No:10
34676 Üsküdar, İstanbul

Tel: (90) 216-556-5130/Fax: (90) 216-556-5160
<https://industrial.omron.com.tr>

© OMRON Corporation 2018 All Rights Reserved.
In the interest of product improvement,
specifications are subject to change without notice.

Cat. No. L143-E1-01

0318 (0318)