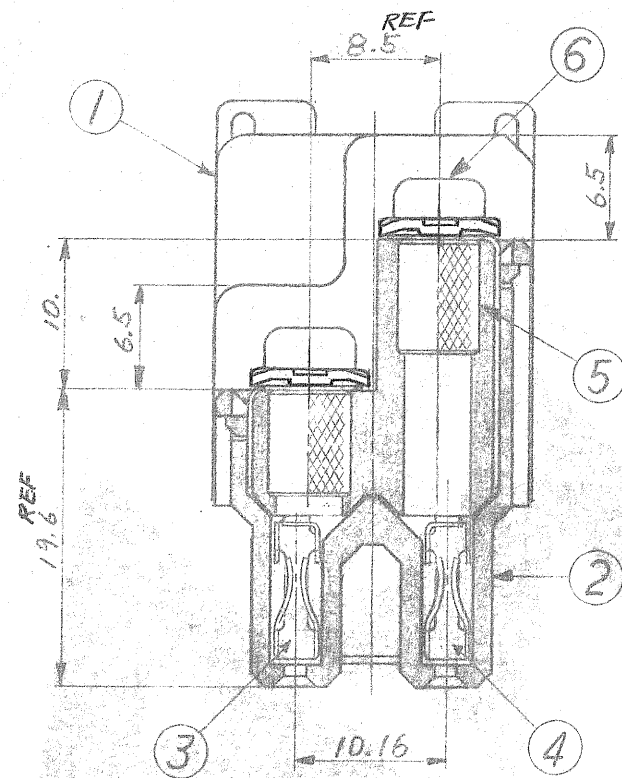
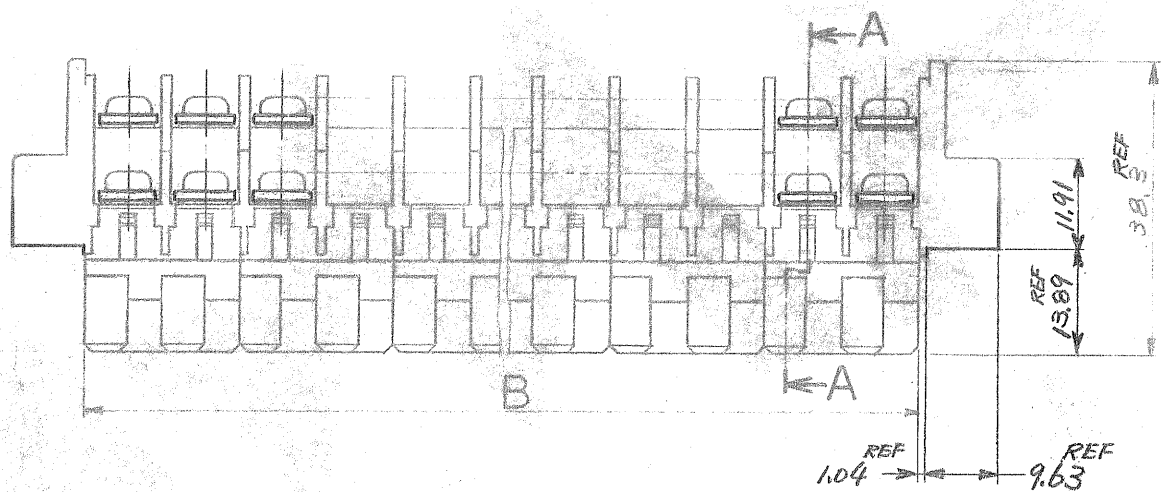
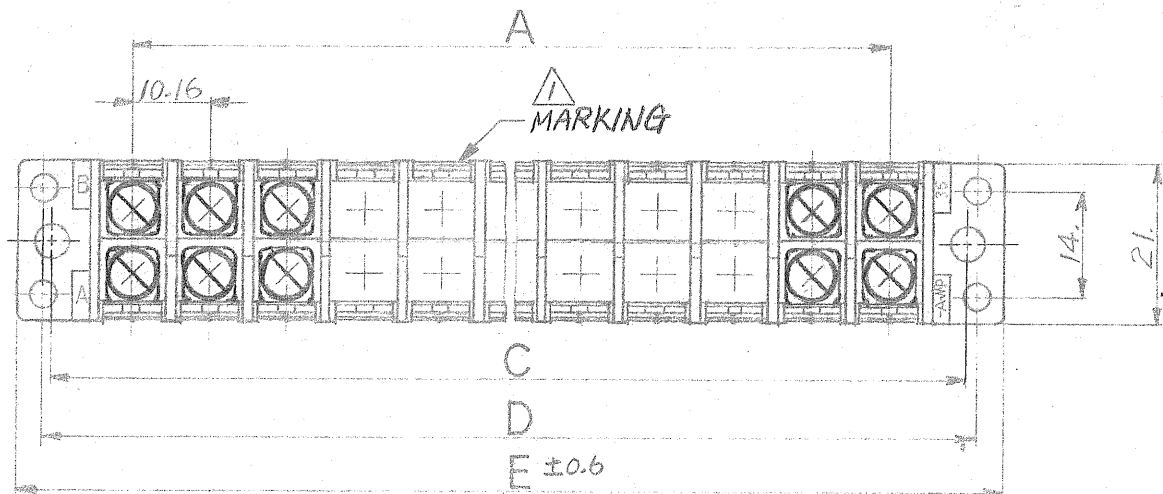


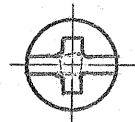
角法 (THIRD ANGLE PROJECTION)

© 1980年 日本エー・エム・ピー株式会社
AMP社の諸製品は特許又は特許出願中

© 1980 BY AMP (Japan) Ltd.
ALL RIGHTS RESERVED. AMP
PRODUCTS COVERED BY PATENTS
AND/OR PATENTS PENDING



ITEM	NAME	MATERIAL AND FINISH
1	BASE HOUSING	P.B.T, GF, UL:94V-0, BLACK
2	COVER HOUSING	" "
3	REC. CONTACT SHORT	PHOS-BRO. Ni AND Au PL.
4	REC. CONTACT LONG	" "
5	INSERT NUT	BRASS, Ni PL.
6	SCREW W/WASHER	STEEL, Ni PL.



SCREW HEAD DETAIL.

SECT A-A
(S=2/1)

注記

△ マーキング: AMPマーク, データコード, 型番.

NOTE

△ MARKING: AMP MARK, DATE CODE, AND PART NUMBER, WITH WHITE INK.

36	17	172.72	182.9	193.8	196.20	203.2	173028-3
20	9	91.44	101.6	112.5	114.92	121.9	173028-2
12	5	50.80	61.0	71.9	74.28	81.3	173028-1
POS.	n	A	B	C	D	E	AMP PART NO.

材料 (MATERIAL)
HOUSING: P.B.T, UL:94V-0
BLACK.
CONTACT: PHOS-BRO.

一般公差
TOLERANCE ± 0.4
EXCEPT ±
AS NOTED



日本エー・エム・ピー株式会社
TOKYO, JAPAN

仕上げ (FINISH)
CONTACT:
Ni ... ALL OVER 1.27μ MIN
Au ... 0.76μ MIN.
(CONTACT AREA)

DR. Y. Fujiwara 11-25-'83
CHK. Y. Fujiwara 12-12-'83
DE. 11/25/83
APP. T. alon

名称 (NAME)
PLUG ASSEMBLY
FOR I/O CONNECTOR SERIES MULTI-TAP CONNECTOR
SIZE LOC 番号 (NO.)
B J C-173028
尺度 (SCALE) 1-1 REV. 0 SHEET

LTR.	変更 (REVISION RECORD)	DR.	CHK.	DATE
0	Released (ECN: 783-7452)	Y.F.	Y.F.	12-27 '83