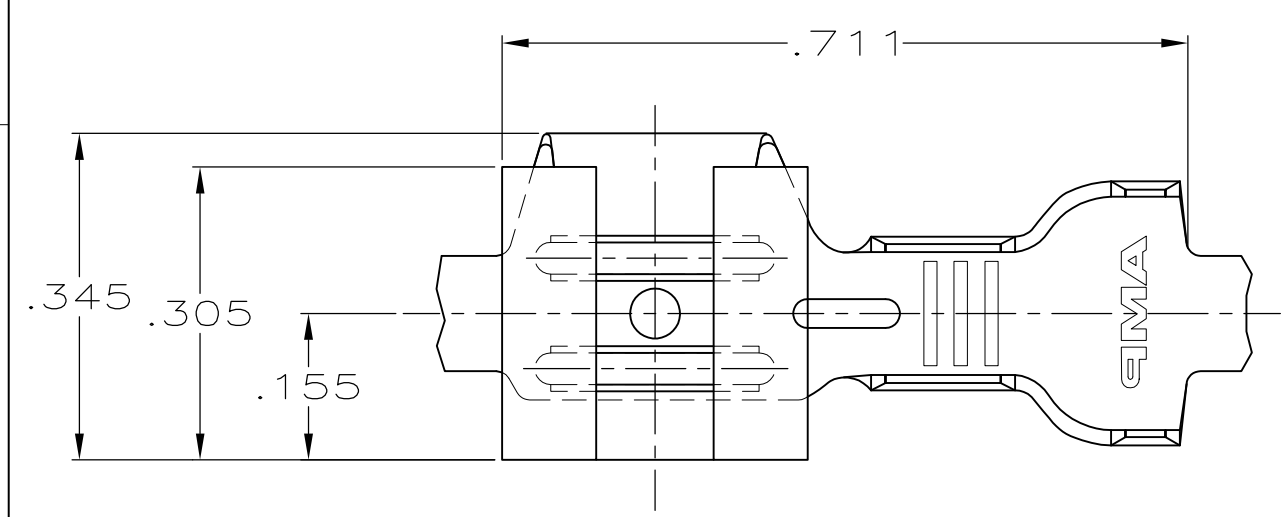
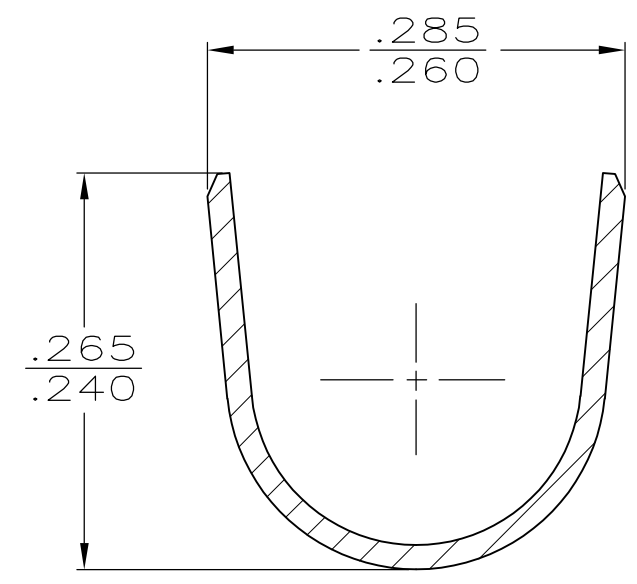
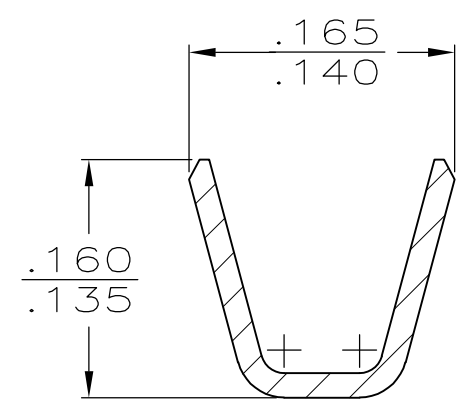
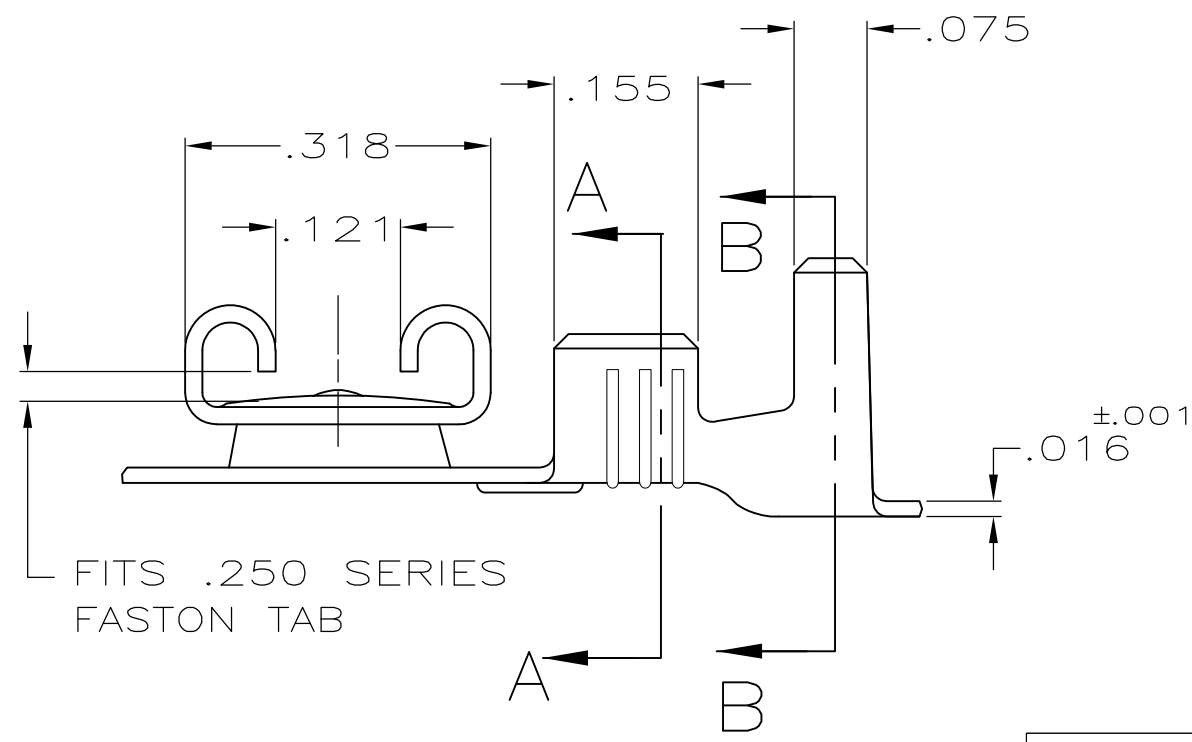


THIS DRAWING IS UNPUBLISHED. RELEASED FOR PUBLICATION
 © COPYRIGHT - By - ALL RIGHTS RESERVED.

| LOC | DIST | REVISIONS | | | |
|-----|------|---------------------------|-----------|-----|------|
| P | LTR | DESCRIPTION | DATE | DWN | APVD |
| AF | 50 | | | | |
| | K | REVISED PER ECR-12-013459 | 28NOV2012 | KH | PD |



1 CONTINUOUS STRIP ON REELS.



| | | | | | |
|----------|--------|-------------|-----------|----------------------|---------|
| OBSOLETE | TIN | .170-.220 | 18-14 | .032 | 60764-2 |
| | - | .170-.220 | 18-14 | .032 | 60764-1 |
| | FINISH | INSUL RANGE | WIRE SIZE | MATING TAB THK ±.001 | PART NO |

| | | | | | |
|--|--|-----------------------------|---|-----------------------|--------------------|
| THIS DRAWING IS A CONTROLLED DOCUMENT. | | DWN JR RUTH 2/28/90 | TE Connectivity | | |
| DIMENSIONS: INCHES | | CHK MS FEHER 2/28/90 | | | |
| TOLERANCES UNLESS OTHERWISE SPECIFIED: | | APVD C MEYERS 2/28/90 | RECEPTACLE, FASTON, FLAG,™ REVERSIBLE, .250 SERIES | | |
| 0 PLC ± - 1 PLC ± - 2 PLC ± - 3 PLC ± .015 4 PLC ± - ANGLES ± - | | PRODUCT SPEC - | APPLICATION SPEC | | |
| MATERIAL BRASS | | FINISH SEE TABLE | 114-2032 | SIZE A3 | CAGE CODE 00779 |
| CUSTOMER DRAWING | | | WEIGHT - | DRAWING NO C-60764 | RESTRICTED TO - |
| | | | SCALE 5:1 | SHEET 1 OF 1 | REV K |