

THIS DRAWING IS UNPUBLISHED.

RELEASED FOR PUBLICATION

ALL RIGHTS RESERVED.

© COPYRIGHT - By -

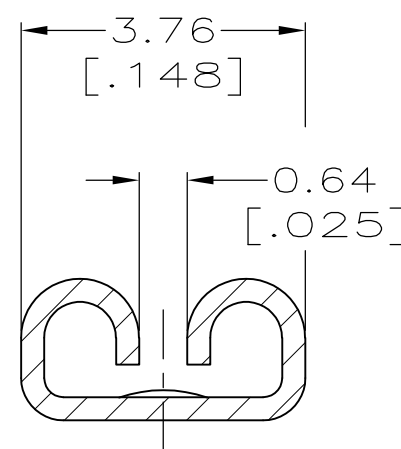
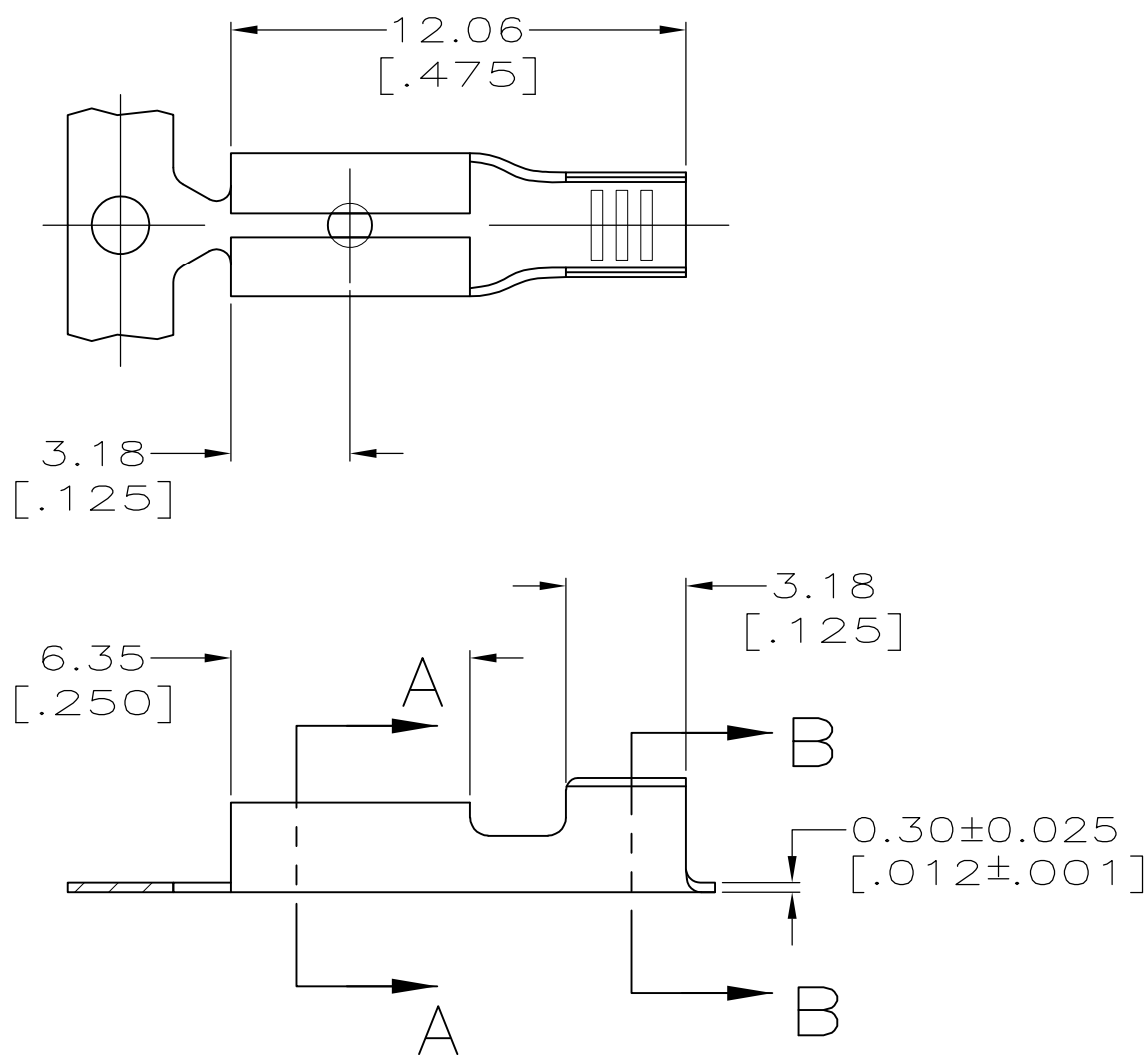
LOC
AF

DIST
50

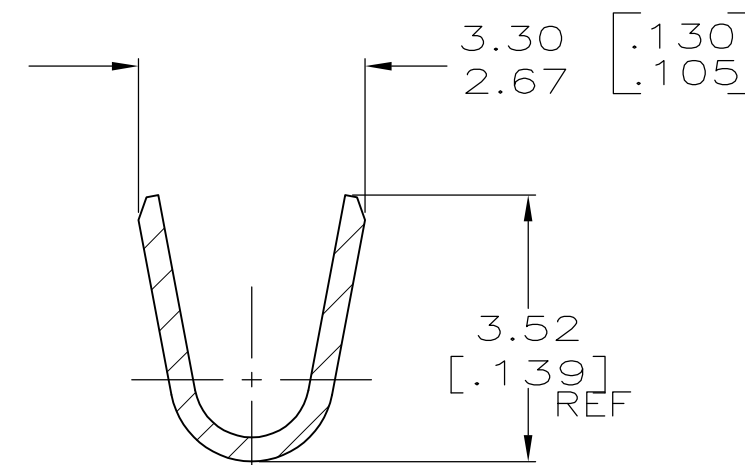
REVISIONS

P	LTR	DESCRIPTION	DATE	DWN	APVD
E		REVISED PER ECR-12-013459	27NOV2012	KH	PD

- 1 CONTINUOUS STRIP ON REELS.
- 2 ACCEPTS [#18-#14] WIRE SIZE.
- 3 MATING TAB TO BE 0.51 ± 0.025 [.020±.001] THK.




SECTION A-A
SCALE 10:1



SECTION B-B
SCALE 10:1

62474-1

PART NO.

THIS DRAWING IS A CONTROLLED DOCUMENT.		DWN JR RUTH 3/14/96	 TE Connectivity														
DIMENSIONS: mm [INCHES]		CHK MS FEHER 3/14/96															
TOLERANCES UNLESS OTHERWISE SPECIFIED:		APVD P DESANTIS 3/14/96	NAME RECEPTACLE, FASTON, 2.79 [.110] SERIES														
<table border="0"> <tr><td>0 PLC</td><td>± -</td></tr> <tr><td>1 PLC</td><td>± -</td></tr> <tr><td>2 PLC</td><td>± 0.38 [.015]</td></tr> <tr><td>3 PLC</td><td>± -</td></tr> <tr><td>4 PLC</td><td>± -</td></tr> <tr><td>ANGLES</td><td>± -</td></tr> </table>		0 PLC	± -	1 PLC	± -	2 PLC	± 0.38 [.015]	3 PLC	± -	4 PLC	± -	ANGLES	± -	PRODUCT SPEC -	APPLICATION SPEC 114-2036		
0 PLC	± -																
1 PLC	± -																
2 PLC	± 0.38 [.015]																
3 PLC	± -																
4 PLC	± -																
ANGLES	± -																
MATERIAL BRASS	FINISH TIN	WEIGHT -	SIZE A3	CAGE CODE 00779	DRAWING NO C-62474												
CUSTOMER DRAWING			SCALE 5:1	SHEET 1 OF 1	REV E												