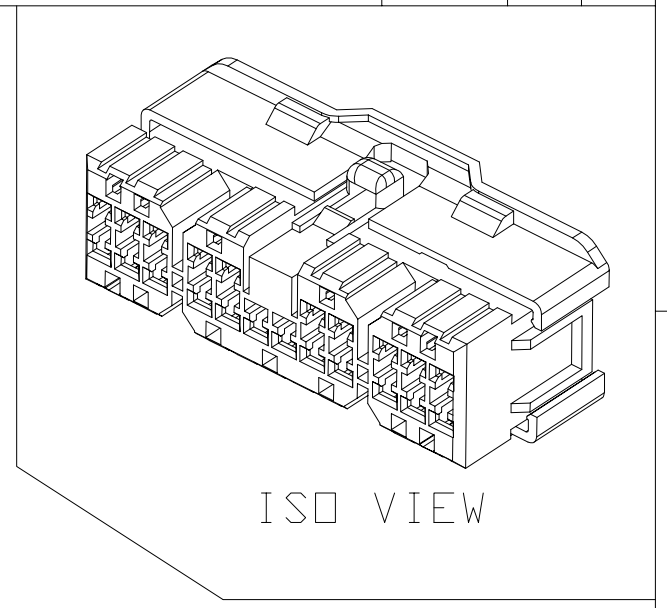
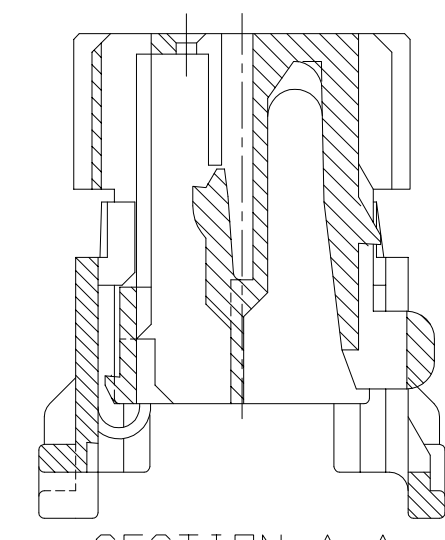
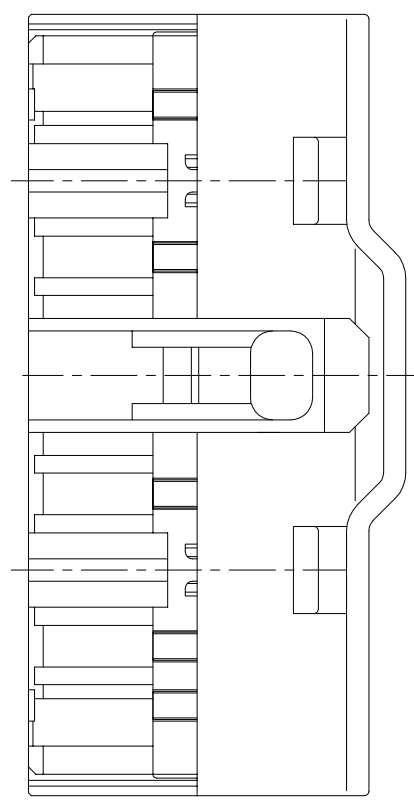
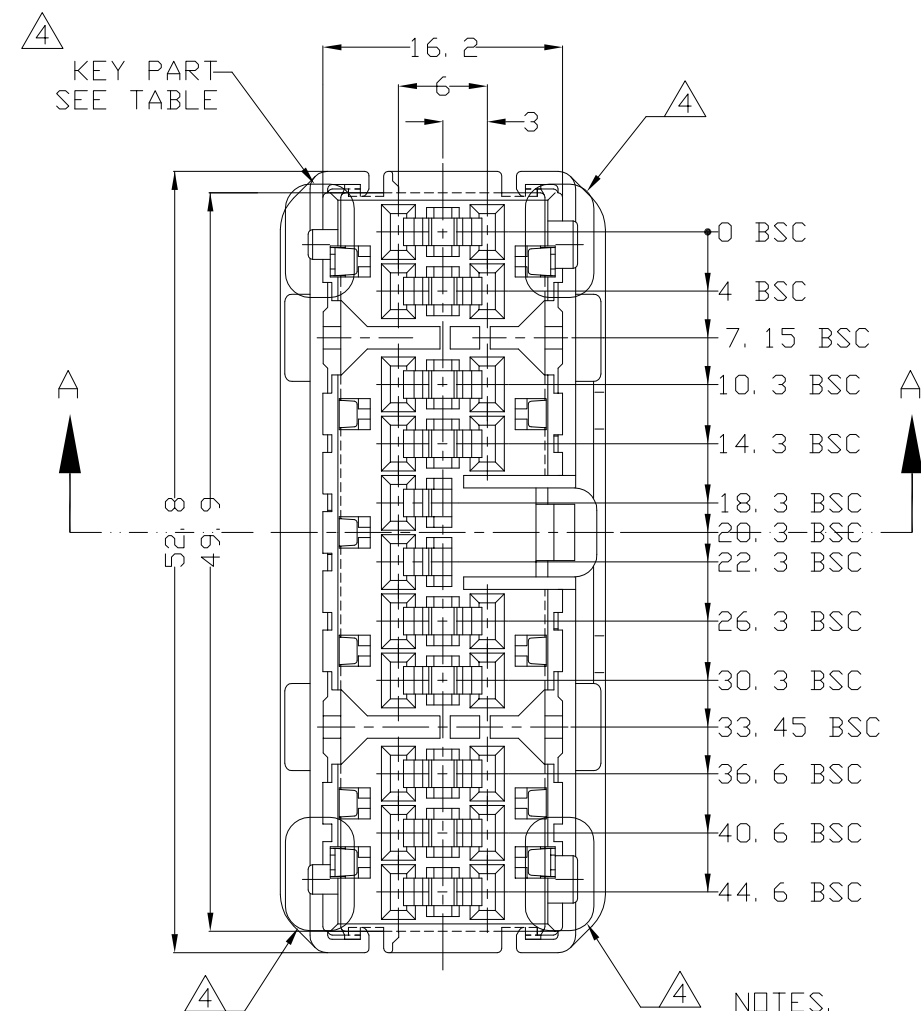


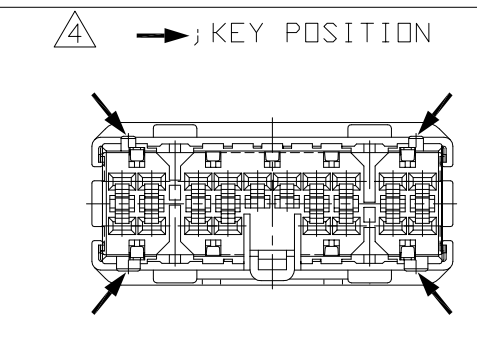
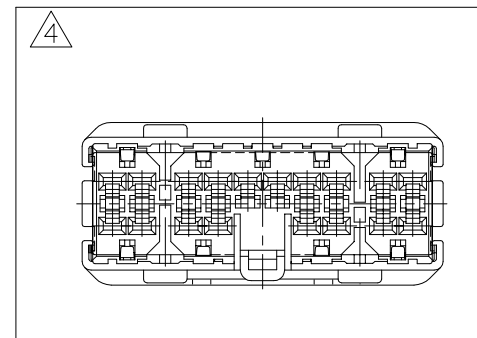
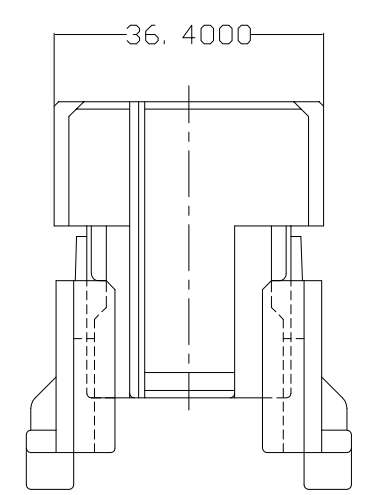
REVISIONS				
P	LTR	DESCRIPTION	DATE	APVD
	D2	REVISED (ECR-13-018599)	06. FEB. '14	JM HG



NOTES.

1. TO BE MATED WITH CAP HSG SMOOTHLY.
 2. APPLIED CONTACT P/N ; 368083/368084/368085
 3. P/N 0-368188-1; APPLIED CAP HSG P/N ; 0-368504-1/0-368150-1
 P/N 1-368188-1; APPLIED CAP HSG P/N ; 1-368187-1
- ⚠ P/N 0-368188-1; APPLY NO KEY
 P/N 1-368188-1; APPLY KEY
 P/N 2-368188-1; APPLY KEY

P/N	COLOR	MATERIAL	KEY
0-368188-1	NATURAL	PBT	⚠
1-368188-1	NATURAL	PBT	⚠
2-368188-1	BLACK	PBT	⚠



P/N : 0-368188-1

P/N : 1-368188-1/2-368188-1

THIS DRAWING IS A CONTROLLED DOCUMENT.		DWN JM JEON		TE Connectivity	
DIMENSIONS: mm		CHK JW JUNG			
		TOLERANCES UNLESS OTHERWISE SPECIFIED: 0 <XX<10 ± 0.2 10<XX<30 ± 0.25 30<XX ± 0.3 ANGLES ± 3°		NAME	
MATERIAL SEE TABLE		FINISH		090 MLC 20P PLUG HSG	
		APPLICATION SPEC WEIGHT -		SIZE CAGE CODE DRAWING NO RESTRICTED TO A3 00779 C-368188 -	
		CUSTOMER DRAWING		SCALE 2:1 SHEET 1 OF 1 REV D2	